



8+



THE CRUNCHINATOR

WARNING: Not suitable for children under 8 years. For use under adult supervision. Read the instructions before use, follow them and keep them for reference.



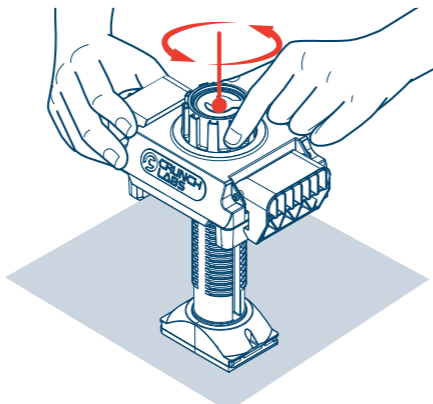
Advice for Supervising Adults

Read and follow these instructions, the safety rules, and the Unsafe Items Guidelines. Keep them handy for future reference.

Incorrect use of this product can cause injury or damage to health or property.

This experimental set is for use only by children over 8 years and must be used under adult supervision.

Because children's abilities vary, even within age groups, supervising adults should decide which experiments are suitable and safe for their child.



NOTE: The Crunch Screw Mechanism comes fully extended. Push downwards while turning Drive Nut counter-clockwise to retract the screw.

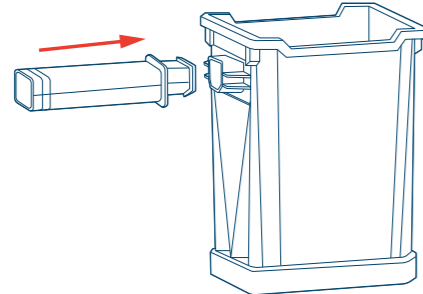
Before You Start

This toy is capable of exerting a large force into the Crunch Tank. Crushing certain objects can be dangerous. Please refer to the unsafe items guidelines before attempting to crush anything.

- Science is messy, crushed items can produce small particles, sharp edges and liquids. Be prepared to clean up a mess before you start your experiment.
- Items like paper towel, a vacuum cleaner and a garbage can help with experiment clean up.
- Some items crush or break slowly, others quickly. Slow motion videos can help you capture the science!

Required Assembly – Adult Assistance May be Required

The Power Handle needs to be assembled before the crunching can begin. Align the handle with the opening in the Crunch Tank. There is only one orientation that will allow insertion. Once aligned, gently push the handle into the tank, there should be a snap once it is properly seated. If unsure, please seek adult supervision for this step.



Your Crunch Wrench

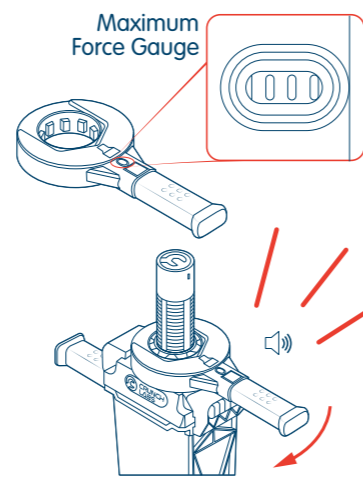
The Crunchinator is designed to multiply your strength by over 30 times!

Maximum Force

Your Crunch Wrench has a built-in force gauge. When it's reached the maximum force, the gauge will be filled with red.

Exceeding Maximum Force

When the Crunchinator exceeds the maximum force, a clutch inside the wrench disengages. The Crunch Wrench will then skip forward rapidly with a loud snap.



NOTE: If the screw isn't moving up or down at either end of its travel, gently press on it as you turn the wrench.



Safety Rules

Read these instructions before use, follow them and keep them for reference.

- Do not use the product if it is cracked or visibly damaged.
- Only use the wrench included with the playset. Do not spin the drive nut by hand.
- Make sure items are placed only on the crushing plates, and do not press on the sides of the chamber.
- Don't extend or retract the movable crushing plate past the limits, it can break the mechanism.
- Clean all equipment after use – see the "Clean Up" section for more details.
- Take care when emptying the crushing chamber. Experiments can yield unexpected results.

Unsafe Items Guidelines

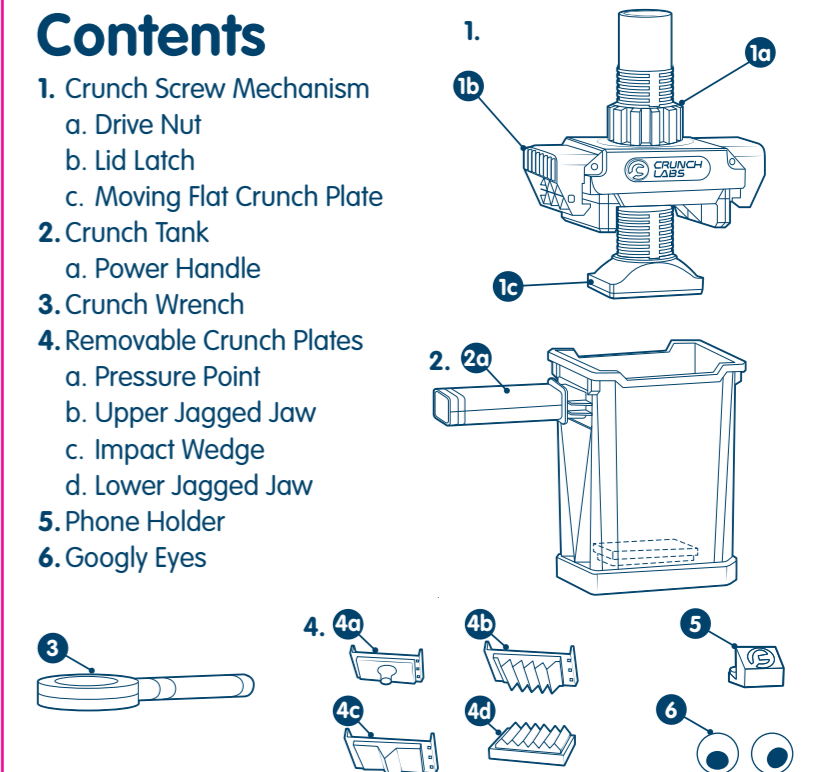
Some things are just too risky to crush. The following is a non-exhaustive list of items that should not be placed in the crushing chamber.

- Brittle items like glass, ceramics, or porcelain.
 - Risk of shattering and creating sharp particles.
- Electronic items like batteries, light bulbs, or capacitors.
 - Risk of fire and harmful substance release.
- Pressurized containers like unopened drink cans or aerosols.
 - Risk of explosive rupture.
- Items composed of or containing corrosive chemicals, solvents, or hot liquids.
 - Risk of damaging the device and exposure to harmful residues.
- Do not fill the Crunch Tank with more than 300ml (10 fl oz) of liquid.
 - Risk of damaging the device.

If you're ever unsure whether something is safe to crush - **don't crush it!**

Contents

1. Crunch Screw Mechanism
 - a. Drive Nut
 - b. Lid Latch
 - c. Moving Flat Crunch Plate
2. Crunch Tank
 - a. Power Handle
3. Crunch Wrench
4. Removable Crunch Plates
 - a. Pressure Point
 - b. Upper Jagged Jaw
 - c. Impact Wedge
 - d. Lower Jagged Jaw
5. Phone Holder
6. Googly Eyes

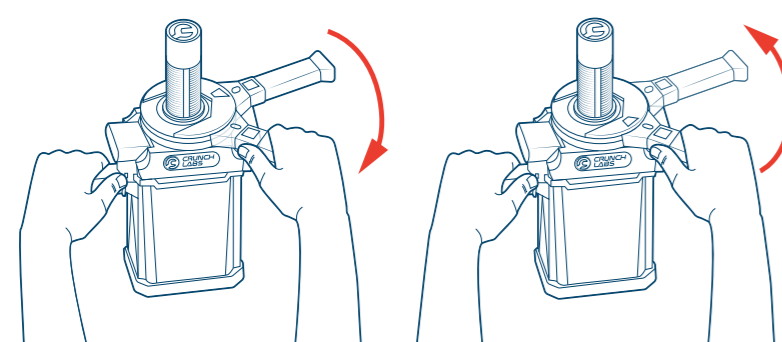


Step 8: Crunch It – Let's Go!

- Grab the Power Handle in one hand and the Crunch Wrench in the other.
- Rotate the Crunch Wrench clockwise to lower the movable crush plate.
- The wrench has a ratchet system, counterclockwise turns can be used to reposition the wrench for optimal leverage.
- Record, Crush and Repeat!

Lower Crunch Plate

Reposition Wrench

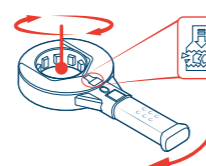


NOTE: The Crunch Plates are made from a flexible material, and are designed to deform rather than snap. In destructive testing, deformation is a badge of honor that shows you're pushing the limits of engineering.

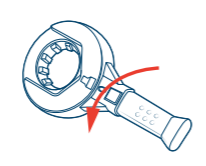
Step 9: Resetting the Crunchinator

- To raise the crushing platform, remove the Crunch Wrench and flip it over.

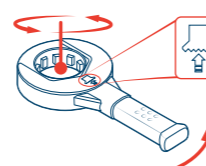
1. Crunch



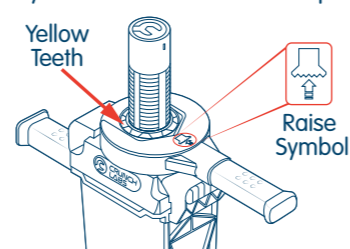
2. Flip



3. Raise



- Make sure the yellow teeth and Raise Symbol are visible from the top!
- Counterclockwise rotation will now raise the crushing platform.
- Ensure that the crushing plates are no longer in contact with your pulverized item before releasing the Lid Latches.
- Note: There is no clutch when raising the plates. Do not apply excessive force or you may damage your Crunchinator. When the plate is all of the way up, stop turning the wrench.



NOTE: Always raise the platform immediately after crushing an object. Do not leave the crunchinator loaded with compressive forces inside.

How to Crunch

Step 1: Choose your Crunch Plates

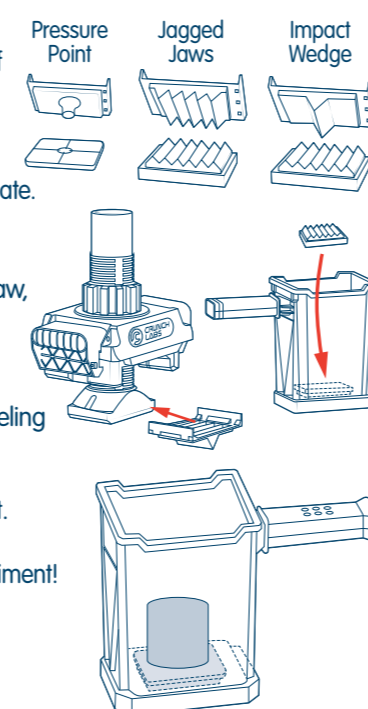
- Mix and match plates - or leave them off - to create new experiments!

Step 2: Assemble the Crunch Plates

- Choose your upper Crunch Plate and slide it onto the Moving Flat Crunch Plate.
- Ensure that the plate is centered before crushing.
- If crushing with the Lower Jagged Jaw, place it over the flat plate in the bottom of the tank.

Step 3: Add your Crunchable!

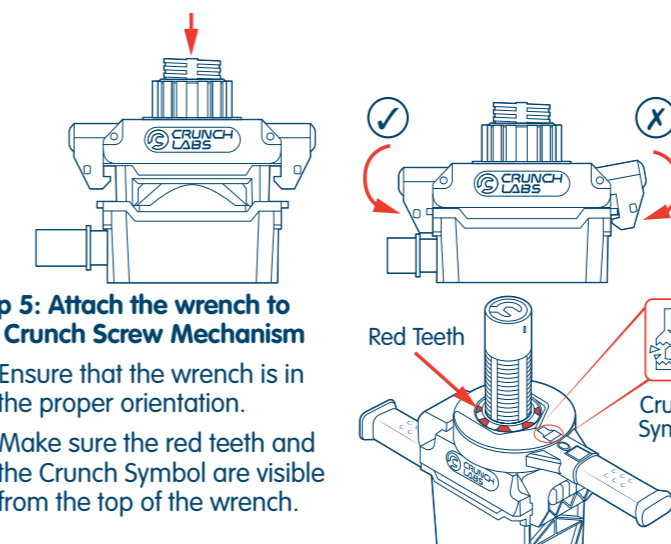
- Empty soda cans, balloons, or modeling clay are all good places to start!
- Place the item to be crushed in the center of the plate for the best effect.
- Tip: Try the same item with different Crunch Plates for a whole new experiment!



- **Note:** Never consume any food product that has been inside the Crunchinator.
- **Note:** Ensure the Crunchinator is properly cleaned between crunches.

Step 4: Attach the Crunch Screw Mechanism to the Tank

- The Crunch Tank can attach in either orientation.
- Pushing the Crunch Screw Mechanism onto the tank will attach the latches.
- Ensure that the Lid Latches are properly attached to the Tank.



Step 5: Attach the wrench to the Crunch Screw Mechanism

- Ensure that the wrench is in the proper orientation.
- Make sure the red teeth and the Crunch Symbol are visible from the top of the wrench.

Troubleshooting

The wrench keeps making a loud noise and the crushing plates aren't moving:

- The wrench has built-in overload tech to keep your Crunchinator safe. If the wrench is making loud noises, has jerky motion and the plates aren't moving, you've found something "unCrunchable!"

I'm trying to raise the platform, but the wrench keeps slipping:

- There is a clever mechanism inside your wrench to disable the clutch when in the lifting orientation.
- Holding the wrench horizontal with the lift symbol down, flip the wrench so that the crunch symbol is now facing down.
- Gently shake the wrench and reinstall in the raising position.

The Drive Nut is jammed:

- If the Drive Nut isn't moving, try removing the wrench and spinning it in the other direction.
- To unjam the nut you may need to alternate the spin direction several times.

My Crunch Tank keeps moving:

- If you're really torquing up the Crunch Wrench, it can be best to have someone else hold the Crunch Tank.

When the moving plate starts pressing on my object, the Crunch Screw Mechanism pops off the Crunch Tank:

- If the Lid Latches aren't properly secured, the Crunch Screw Mechanism can pop off the tank.

- Remove the lid, raise the plate to make more room if needed, then replace the lid.
- Make sure the Lid Latches snap on securely!

That all happened so fast?

- Some things crush slow... and others crush fast.
- If you've crushed an item and it was too quick to catch, try using a phone with a slow motion video setting to capture the action.

I'm done crunching, why can't I lift up the Lid Latches?

- Crunching things takes a lot of force! If the Lid Latches won't budge, use the Crunch Wrench in Raise mode to relieve some of the pressure, then try again.

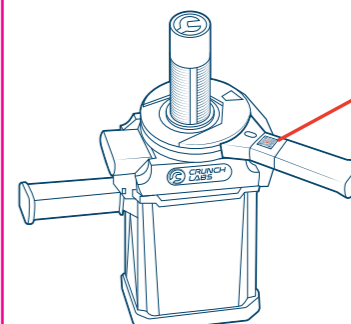
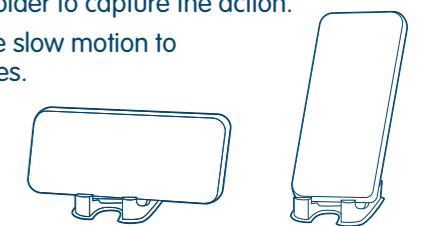
Step 6: But First, Science!

- Everyone agrees that crunching stuff is awesome! But before we go crushing crazy, let's hypothesize. Test your engineering instincts by guessing how your items will behave under pressure.

- When we crush this item it will:
 - Produce a smell or odor?
 - Pop, ooze or crack?
 - Be loud or quiet?
 - Break quickly or slowly?
 - Produce a liquid, small pieces or stay together?
 - Gross out my parents or siblings?

Step 7: Lights, Camera, Action!

- Create your own crunch content! Set up a camera or a phone on the phone holder to capture the action.
- "Did that just explode?!" Use slow motion to capture high-speed crunches.

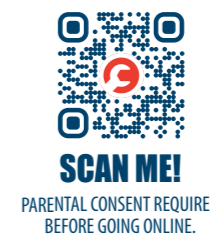


Scan the QR code on the product to watch Mark explain the engineering behind the action!
PARENTAL CONSENT REQUIRED BEFORE GOING ONLINE.

WARNING: CHOKING HAZARD - SMALL PARTS. NOT SUITABLE FOR CHILDREN UNDER 3 YEARS.

CAUTION: DO NOT INSERT HARD OR SHARP OBJECTS INTO THE COMPRESSION CHAMBER. DO NOT INSERT HOT OR HAZARDOUS LIQUIDS INTO THE COMPRESSION CHAMBER.

IMPORTANT: RETAIN PACKAGING DETAILS FOR FUTURE REFERENCE. COLORS AND CONTENTS MAY VARY. ENSURE LID IS FULLY LOCKED BEFORE OPERATING THE RATCHET. RATCHET CLUTCH WILL SLIP WHEN MAXIMUM FORCE IS REACHED, DO NOT FORCE FURTHER. ONLY ATTEMPT TO OPEN THE LID WHEN CRUSHING FORCE IS REMOVED. DON'T LEAVE IN COMPRESSED STATE FOR EXTENDED PERIODS. IMMEDIATELY RETRACT THE SCREW AFTER CRUSHING. DO NOT CONSUME FOOD USED IN EXPERIMENTS. FOOD MAY BE CONTAMINATED DURING PLAY. DO NOT USE THIS PRODUCT TO PREPARE, SERVE, OR STORE FOOD. CLEAN AND DRY TOY BEFORE STORAGE. RETAIN INSTRUCTIONS FOR FUTURE REFERENCE.



©2025 The Moose Group