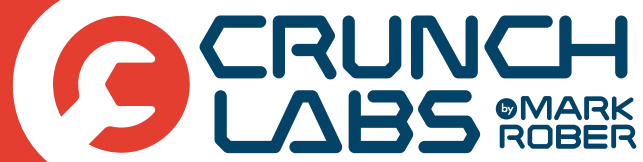




SCAN ME!

PARENTAL CONSENT REQUIRED BEFORE GOING ONLINE.

6+



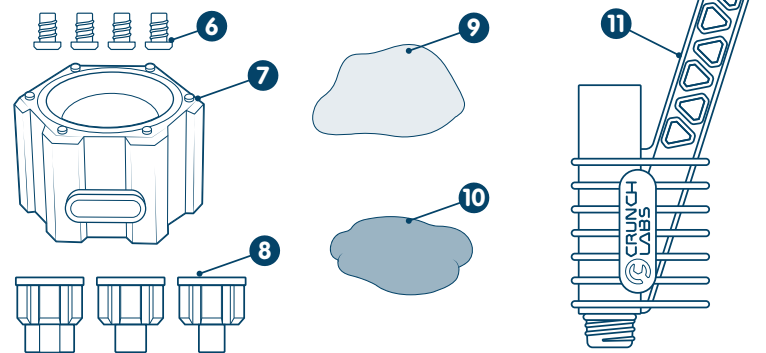
# SLIME PRANK LAB INSTRUCTIONS

**WARNING:**  
CHOKING HAZARD - Small parts.  
Not for children under 3 years.



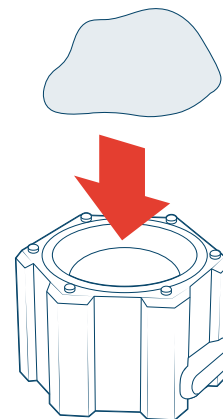
## Contents

1. Main lever
2. Tool
3. Piston
4. Piston link
5. Small link
6. Screw x4
7. Speaker
8. Nozzles x3
9. Yellow High Viscosity Slime
10. Green Low Viscosity Slime
11. Syringe housing



## FART SPEAKER

- 1 Take yellow slime and roll into a ball. Place inside speaker.

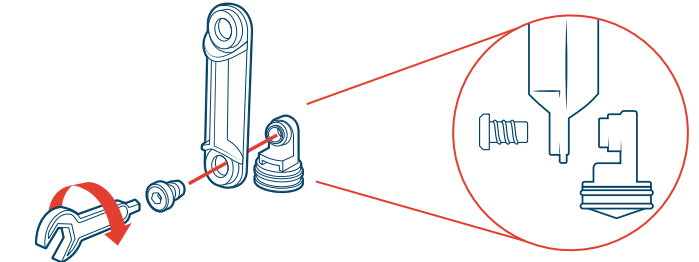


- 2 Push slime into the speaker. Leave a pocket of air to make best fart sounds.

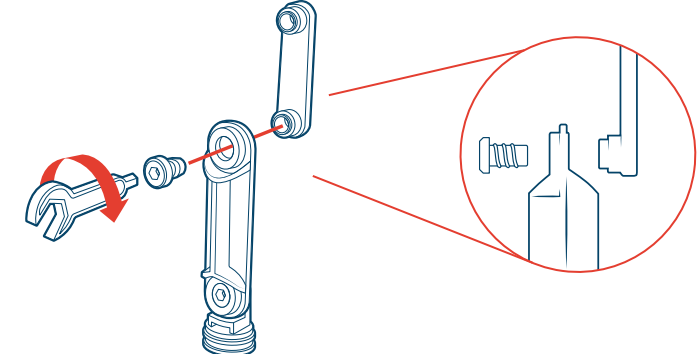


## SNOT PUMP

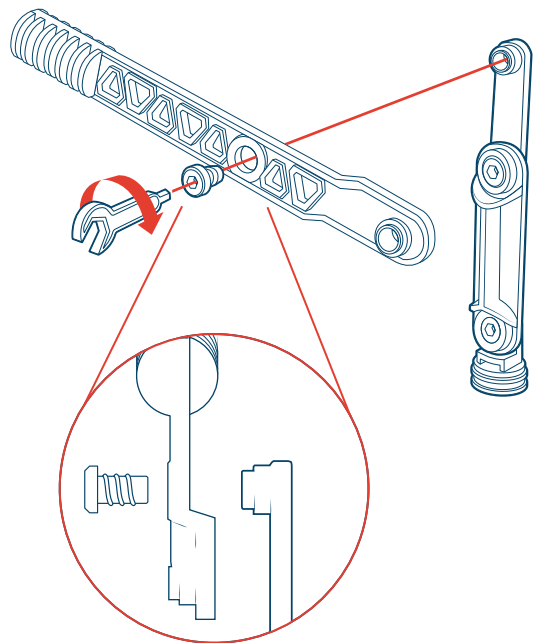
- 1 Attach the Piston to the Piston link with a screw.



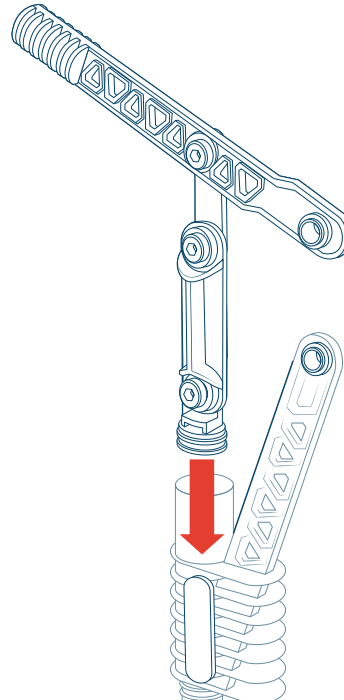
- 2 Attach the Piston link to the Small link with a screw.



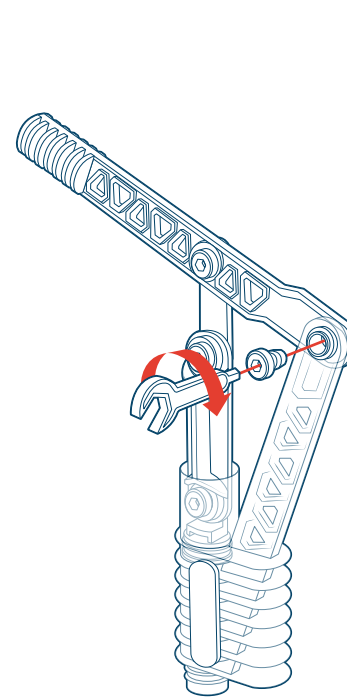
- 3 Attach the main lever to the small link with a screw to complete the piston.



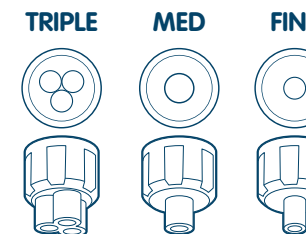
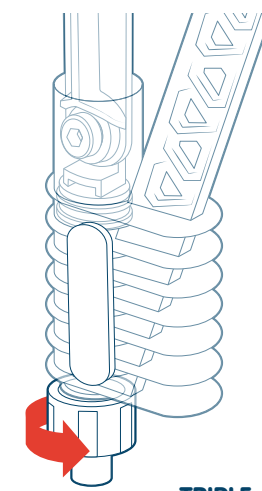
- 4 Push the piston into the Syringe housing.



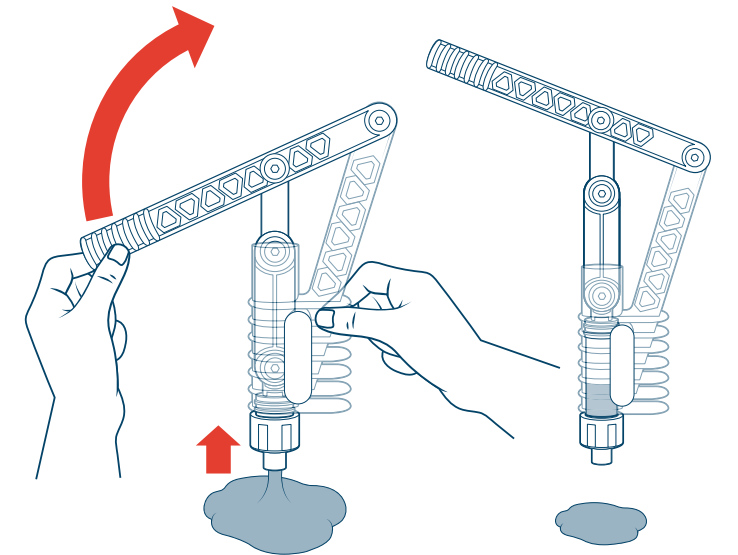
- 5 Attach the Main lever to the Syringe housing with a screw.



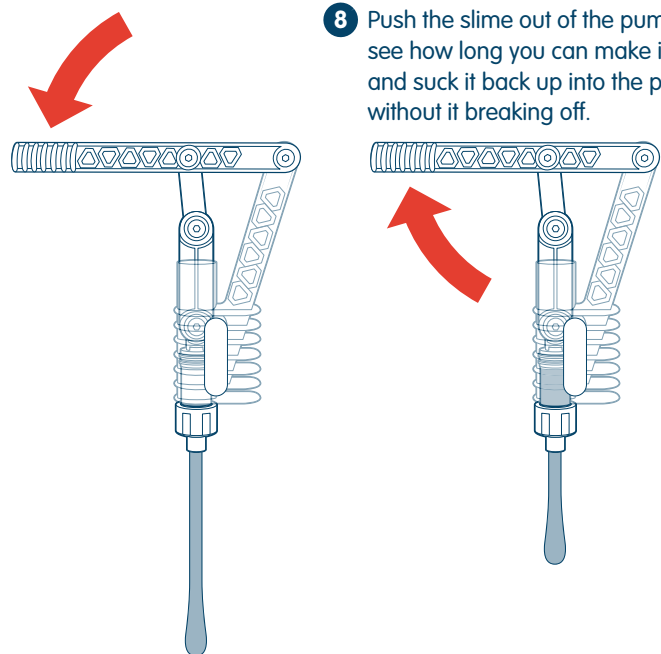
- 6 Choose 1 of the 3 nozzles and screw tightly onto the pump.



- 7 Open the green (low viscosity) slime bag. Place green slime on a smooth, clean surface. Push nozzle into slime. Suck slime into pump by lifting the lever.

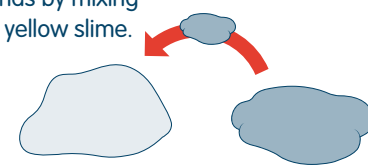


- 8 Push the slime out of the pump and see how long you can make it stretch and suck it back up into the pump without it breaking off.

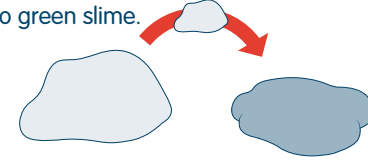


## THE SCIENCE OF SLIME

- 1 FART SPEAKER: Make wetter fart sounds by mixing a tiny bit of green (low viscosity) into yellow slime.

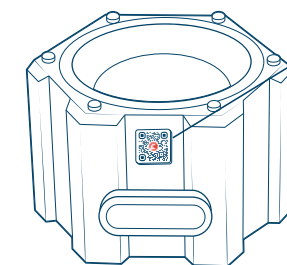


- 2 SNOT PUMP: Make thicker, stretchier slime by mixing a tiny bit of yellow (high viscosity) into green slime.



## Tips and Tricks

- 1 Place slime in airtight bag so it can be re-used.
- 2 Clean the speaker and pump after every use using soapy, cold water.



Scan this QR code on the product to watch Mark explain all the science behind the actions!  
PARENTAL CONSENT REQUIRED BEFORE GOING ONLINE.

**CAUTION:** KEEP AWAY FROM WALLS, FURNITURE, CARPETING AND ALL OTHER MATERIALS THAT CANNOT BE LAUNDERED. COMPOUND WILL WASH AWAY FROM MOST CHILDREN'S FABRICS WITH SOAP AND WATER. REMOVE AND SOAK EXCESS SLIME FROM FABRICS BEFORE WASHING. REPEAT WASH IF NEEDED. SLIME CONTAINS COLOR AND MAY STAIN SOME SURFACES.  
**IMPORTANT:** RETAIN PACKAGING DETAILS FOR FUTURE REFERENCE. COLORS AND CONTENTS MAY VARY. RETAIN INSTRUCTIONS FOR FUTURE REFERENCE.



SCAN ME!  
PARENTAL CONSENT REQUIRED BEFORE GOING ONLINE.

**WARNING:**  
CHOKING HAZARD - Small parts.  
Not for children under 3 years.

Replace with:  
FSC Logo  
Label Free  
License Code  
Do Not Scale



www.moosetoy.com  
©2025 The Moose Group