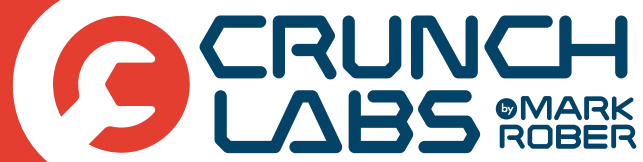




SCAN ME!

PARENTAL CONSENT REQUIRED BEFORE GOING ONLINE.

8+



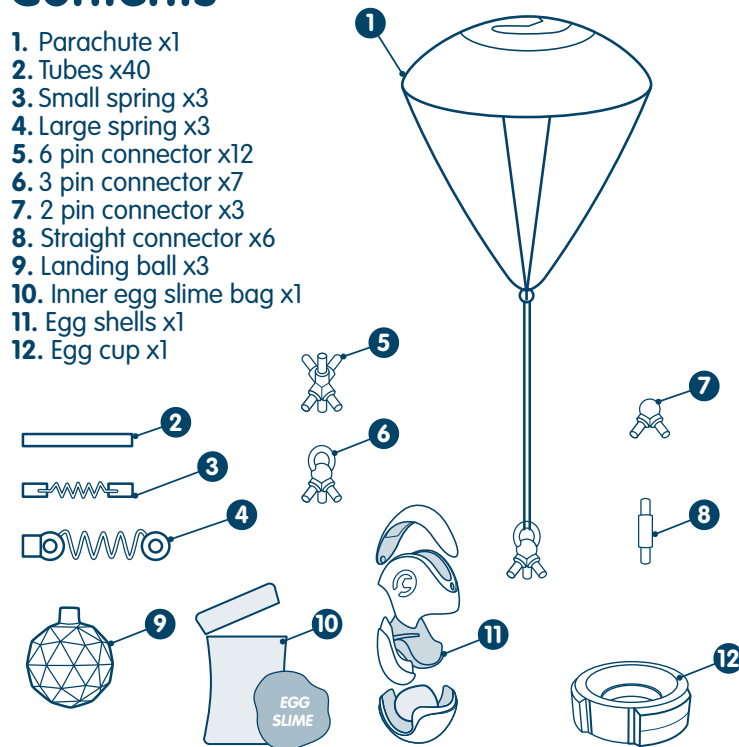
EGG DROP CHALLENGE INSTRUCTIONS

WARNING:
CHOKING HAZARD—Small parts.
Not for children under 3 years.

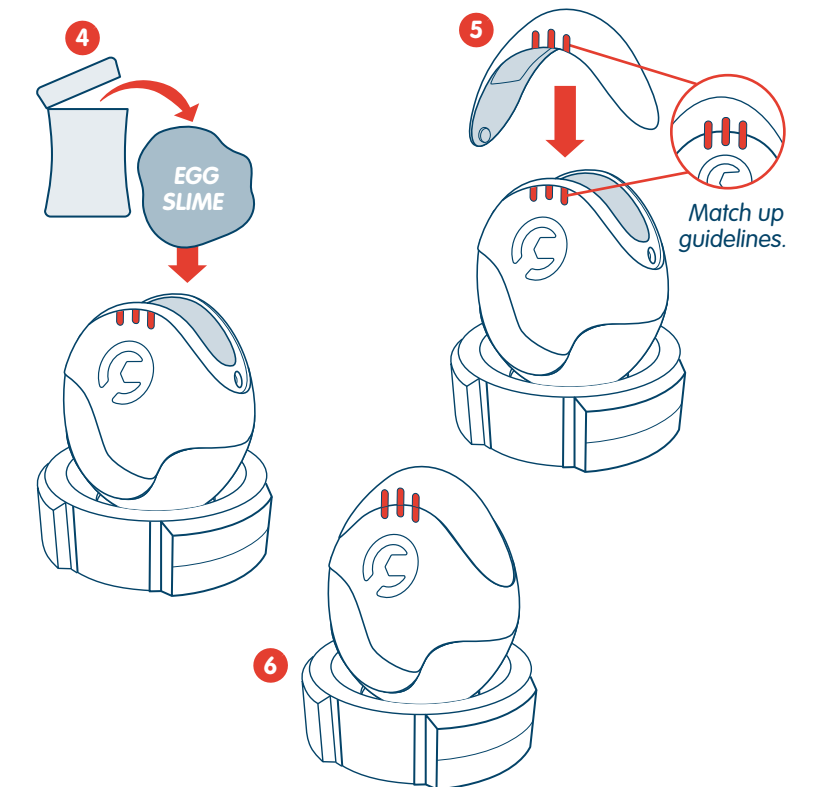
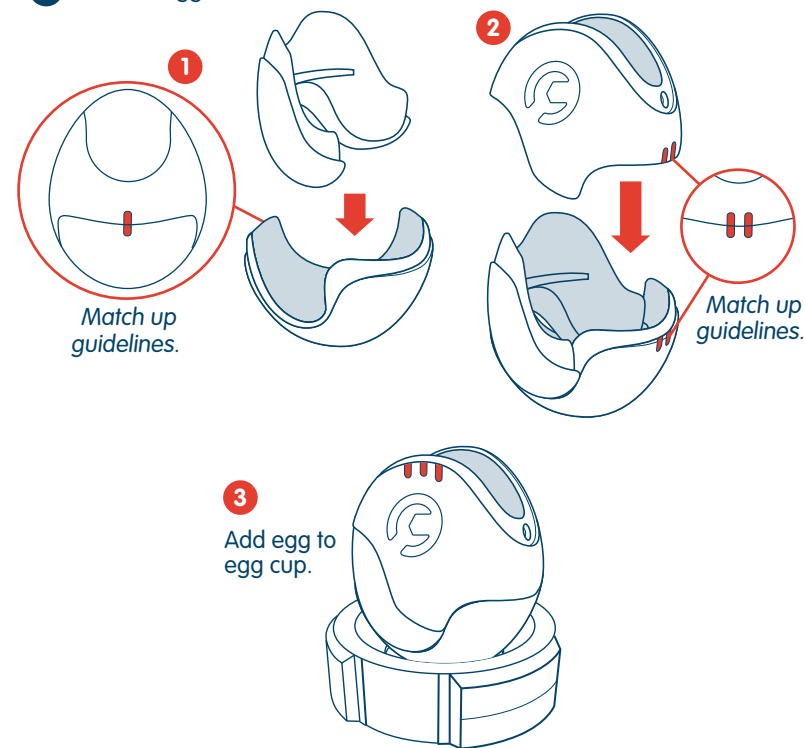


Contents

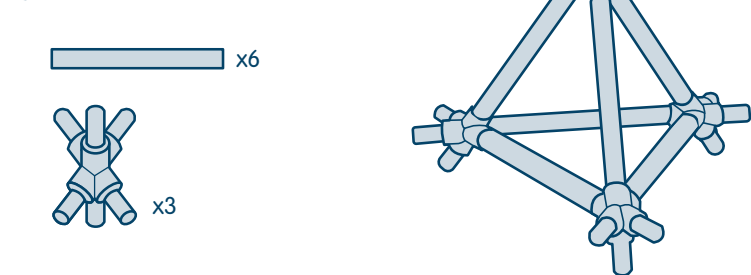
1. Parachute x1
2. Tubes x40
3. Small spring x3
4. Large spring x3
5. 6 pin connector x12
6. 3 pin connector x7
7. 2 pin connector x3
8. Straight connector x6
9. Landing ball x3
10. Inner egg slime bag x1
11. Egg shells x1
12. Egg cup x1



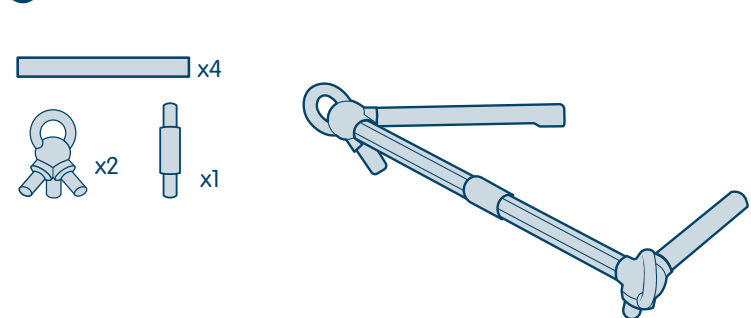
1 Build the Egg.



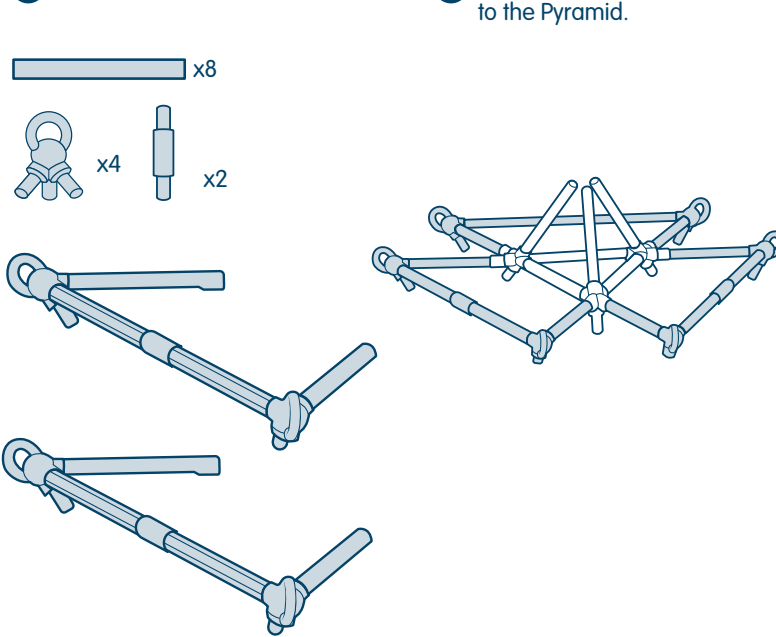
2 Build a pyramid.



3 Build a "C" Shape.

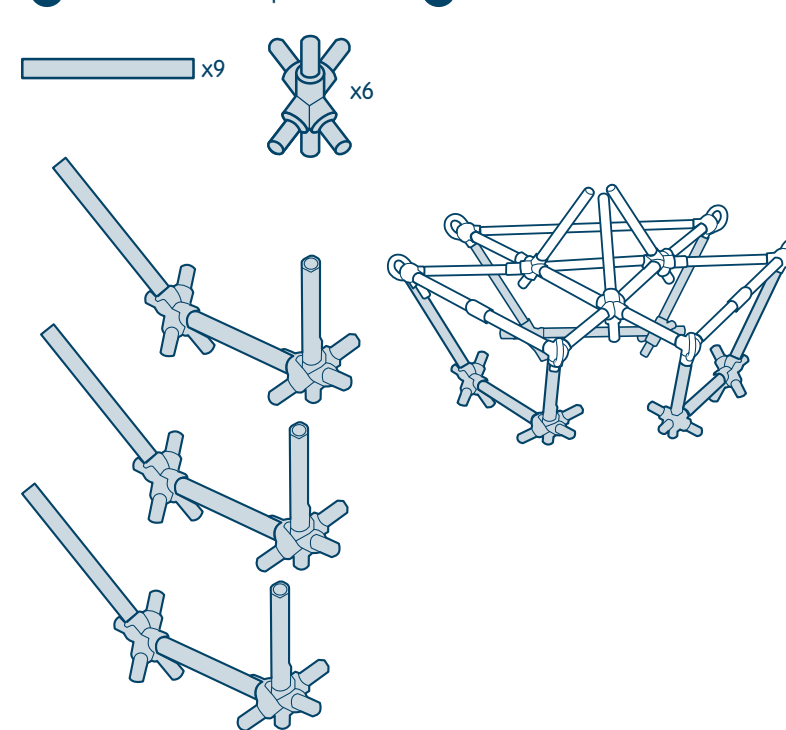


4 Build 2 more "C" Shapes.



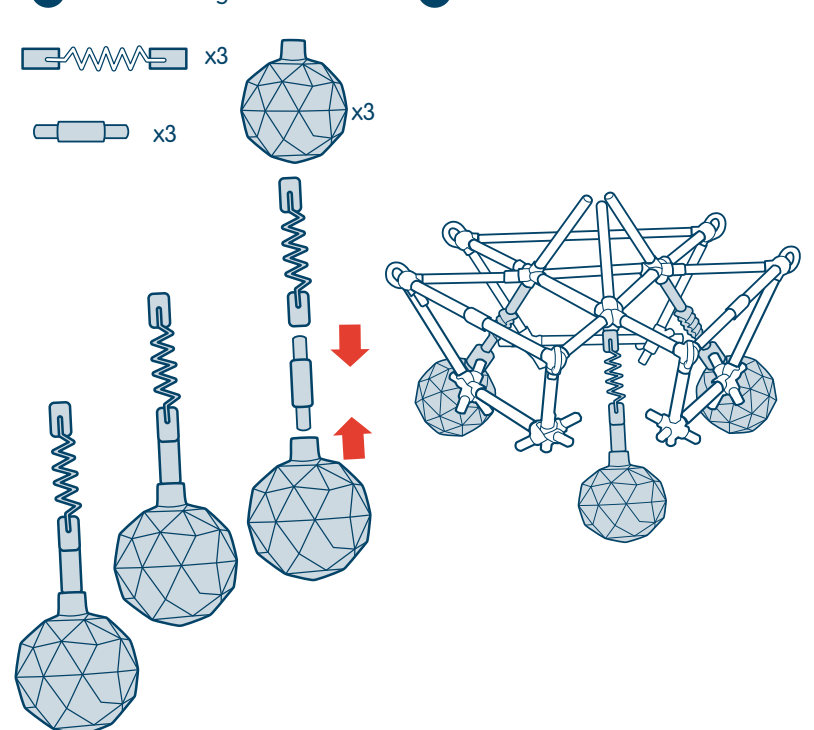
5 Connect the 3 "C" shapes to the Pyramid.

6 Build 3 of these Shapes.



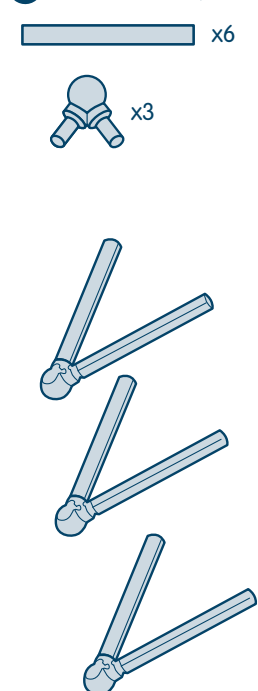
7 Connect them to the structure.

8 Build 3 Landing feet.

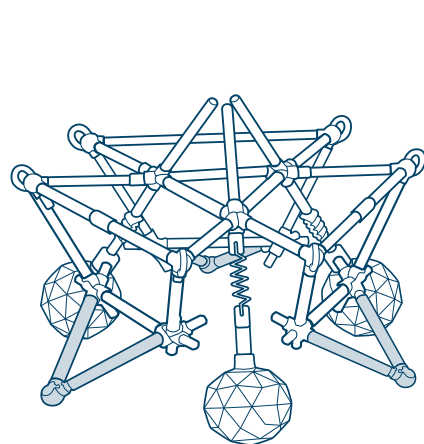


9 Connect them to the structure.

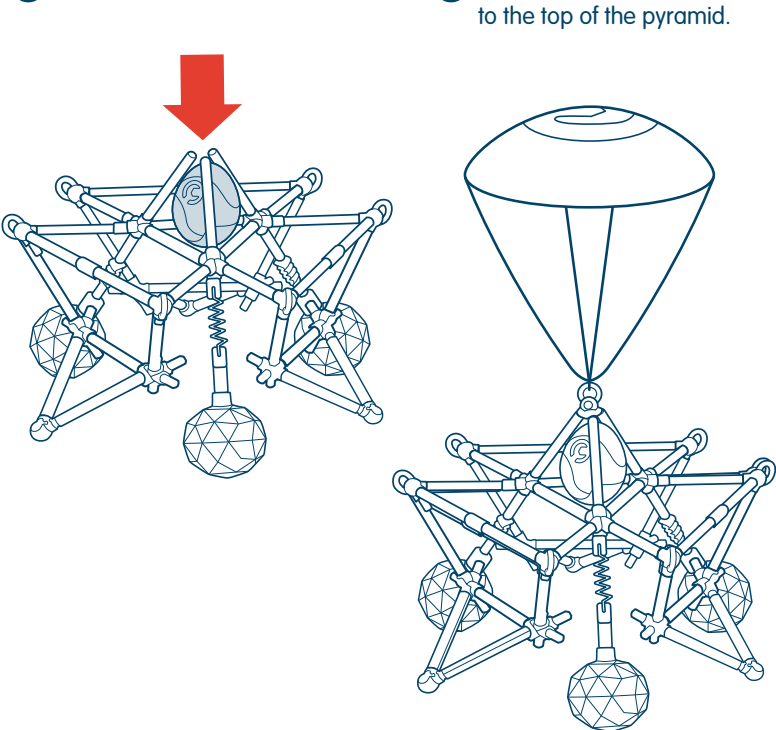
10 Build 3 "V" shapes.



11 Connect the 3 "V" shapes to the structure.

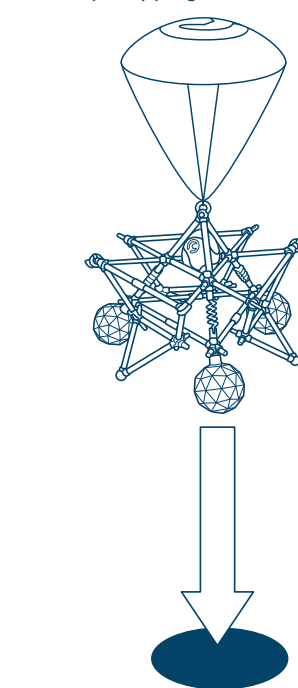


12 Insert the egg into the top pyramid.



13 Attach the Parachute to the top of the pyramid.

14 Drop the structure and see if your egg survives! Try dropping from different heights.



15 Rebuild the structure and experiment using different pieces in the set.

16 Try using a real egg. If the egg is small and fits loosely in the pyramid, wrap it with a paper towel for a secure fit.

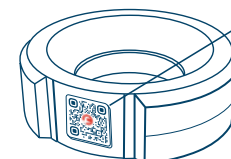


Scan this QR code on the product to watch Mark explain all the science behind the actions!

PARENTAL CONSENT REQUIRED BEFORE GOING ONLINE.

CAUTION: ENSURE A CLEAR AND SAFE DROP ZONE BEFORE DROPPING. DO NOT DROP NEAR PEOPLE, PETS, OR FRAGILE OBJECTS. DO NOT CONSUME EGGS USED IN EXPERIMENTS. EGGS MAY BE DAMAGED OR CONTAMINATED DURING PLAY. KEEP AWAY FROM WALLS, FURNITURE, CARPETING AND ALL OTHER MATERIALS THAT CANNOT BE LAUNDERED. COMPOUND WILL WASH AWAY FROM MOST CHILDREN'S FABRICS WITH SOAP AND WATER. REMOVE AND SOAK EXCESS SLIME FROM FABRICS BEFORE WASHING. REPEAT WASH IF NEEDED. SLIME CONTAINS COLOR AND MAY STAIN SOME SURFACES.

IMPORTANT: RETAIN PACKAGING DETAILS FOR FUTURE REFERENCE. COLORS AND CONTENTS MAY VARY. REAL EGGS MAY BREAK AND CAUSE MESS OR CONTAMINATION. DROP ON A PROTECTED SURFACE. CLEAN HANDS THOROUGHLY AFTER HANDLING. CLEAN AND DRY TOY BEFORE STORAGE. RETAIN INSTRUCTIONS FOR FUTURE REFERENCE.



SCAN ME!
PARENTAL CONSENT REQUIRED BEFORE GOING ONLINE.

WARNING:
CHOKING HAZARD—Small parts.
Not for children under 3 years.

Replace with:
FSC Logo
Label Title
License Code
Do Not Scale



www.moosetoy.com
©2025 The Moose Group